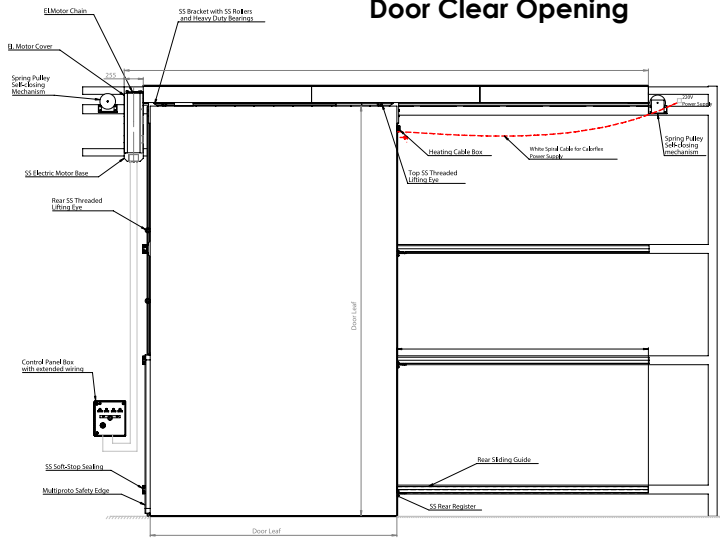
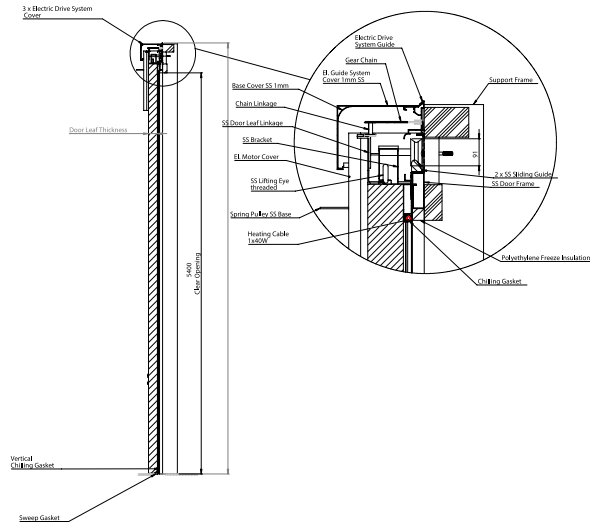
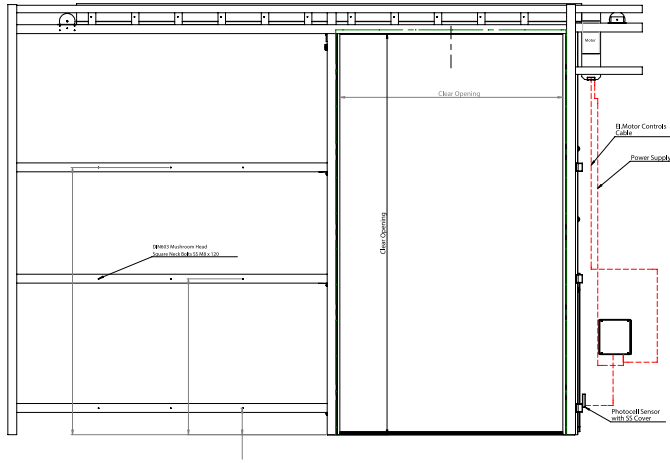
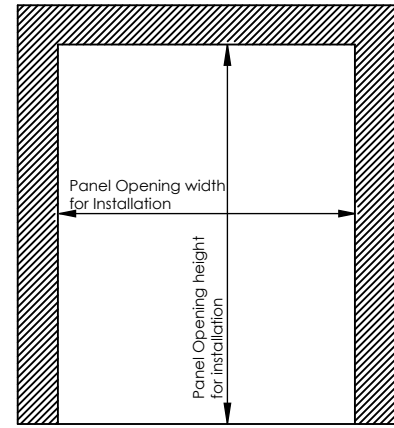


Door Clear Opening



Panel Opening for Installation



Door Clear Opening

width	height
-------	--------

Panel Opening for Installation

width	height
-------	--------

Basic Features

Positive temp (0 +2 oC)

Negative (-18 -20 oC)

Tunnel (-30 -40oC)

Slide to Left / Slide to Right

LH SLIDE RH SIDE

Items	Items
-------	-------

Panel Thickness

- 60
- 80
- 100
- 120
- 140
- 150
- 200

Extras

Leaf Thickness (mm)

Colour (RAL)

Lock

Ground Resistance

More Details

Client Signature

Fireproofed Electric Sliding Cold Room Door

Order Code

Number of Items

Date

Delivery Date

Details