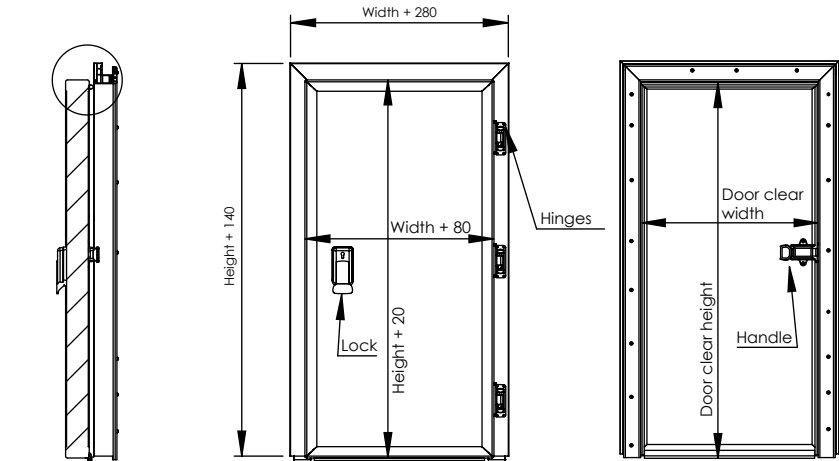
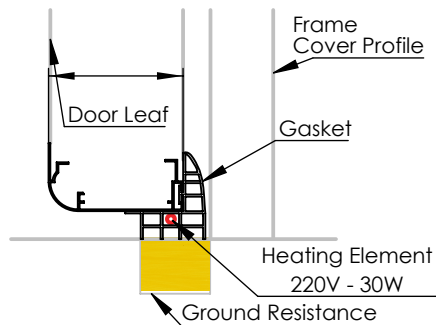
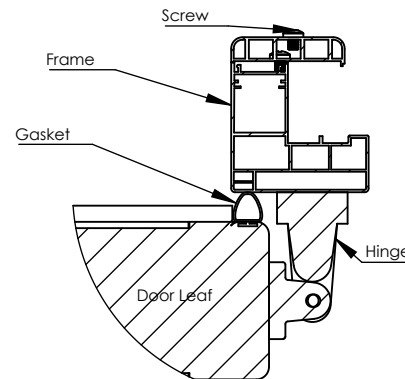
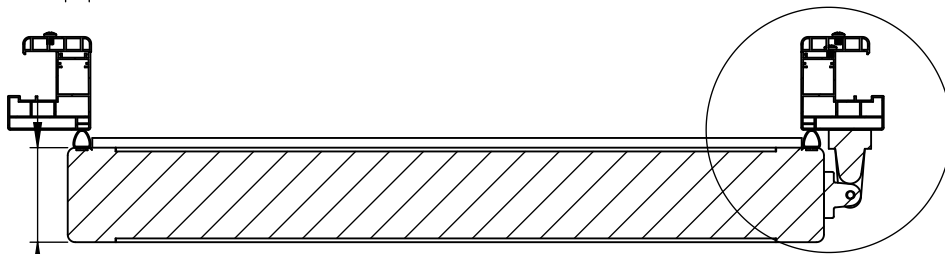
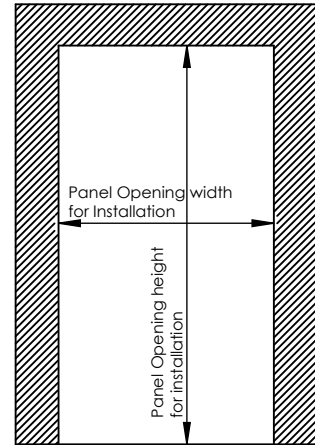


Door Clear Opening



Panel Opening for Installation



Door Clear Opening

width	height
-------	--------

Panel Opening for Installation

width	height
-------	--------

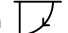
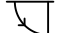
Basic Features

Positive temp (0 +2 °C)

Negative (-18 -20 °C)

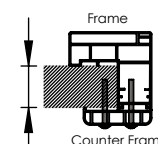
Tunnel (-30 -40 °C)

Left Hand / Right Hand Open

LH open  RH open 

	Items		Items
--	-------	--	-------

Inox Frame & Counter Frame

panel thickness	60		
	80		
	100		
	120		
	140		
	150		
	200		

Extras

Leaf Thickness (mm)

Circular Design

Kick Plate

Ground Resistance

More Details

Client Signature

Inox Hinged Cold Room Door with Heating Element

Order Code

Number of Items

Date

Delivery Date

Details