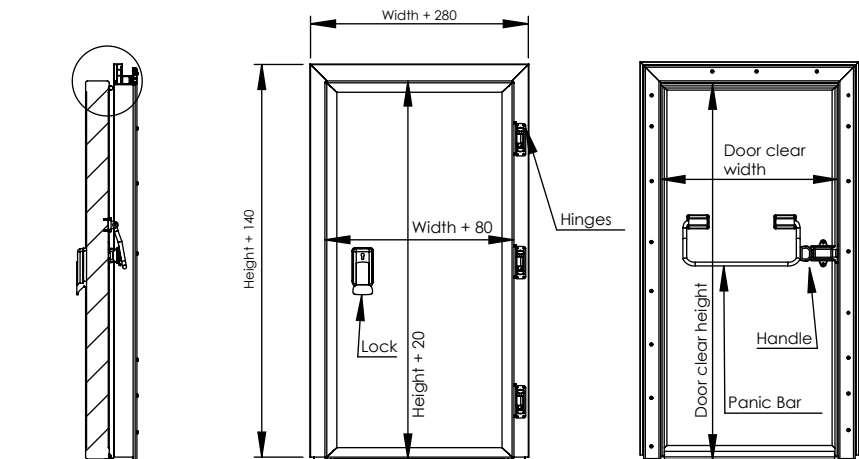
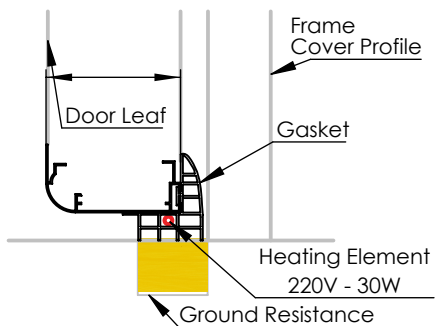
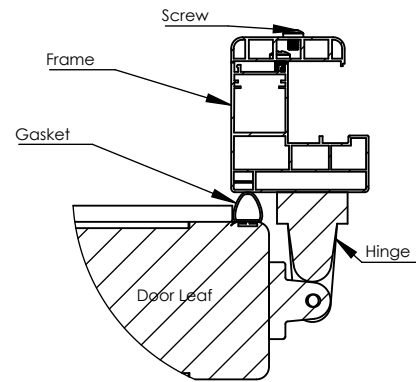
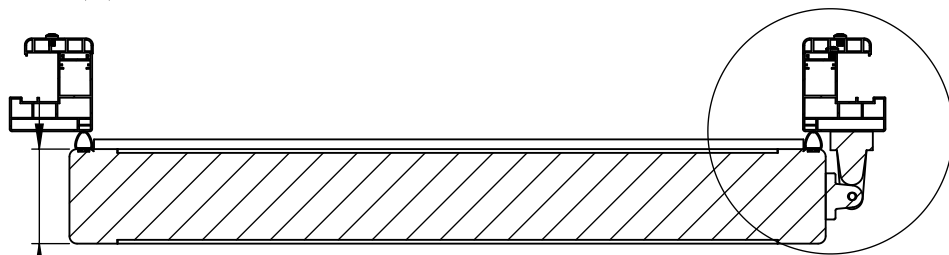
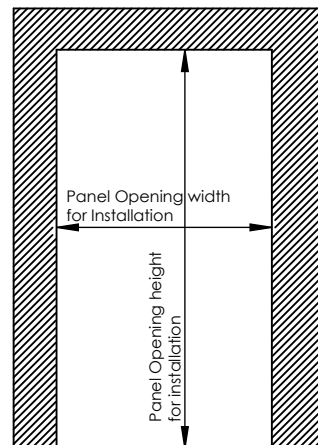


Door Clear Opening



Panel Opening for Installation



Door Clear Opening

width	height
-------	--------

Panel Opening for Installation

width	height
-------	--------

Basic Features

Positive temp (0 +2 °C)
Negative (-18 -20 °C)
Tunnel (-30 -40 °C)

Left Hand / Right Hand Open

LH open				RH open
---------	--	--	--	---------

	Items		Items
--	-------	--	-------

Inox Frame & Counter Frame

panel thickness	60		
	80		
	100		
	120		
	140		
	150		
200			

Extras

Leaf Thickness (mm)	
Circular Design	
Kick Plate	
Ground Resistance	

More Details

--

Client Signature

--

Inox Hinged Cold Room Door with Panic Bar and Heating Element

Order Code		
Number of Items	Date	
	Delivery Date	
	Details	